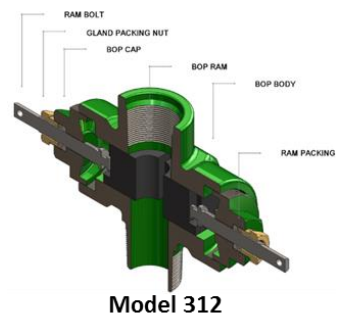
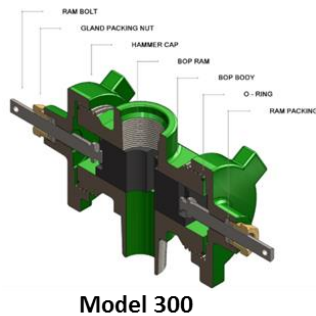
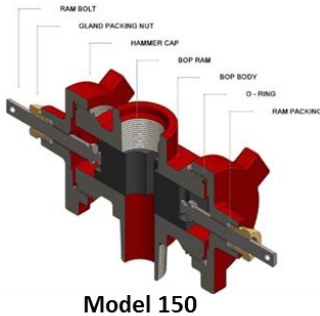


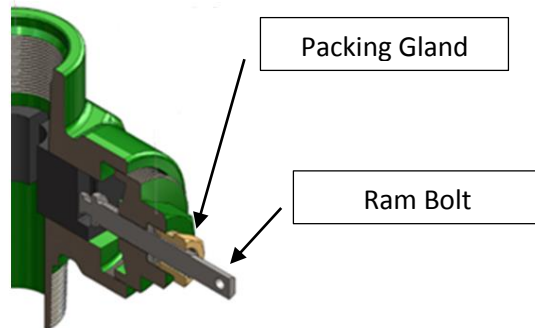
Operational Instructions for WSI Model 150, 300 & 312 Rod BOP

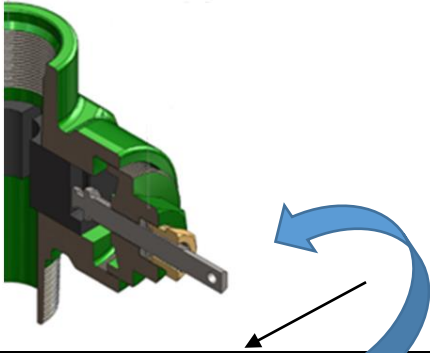
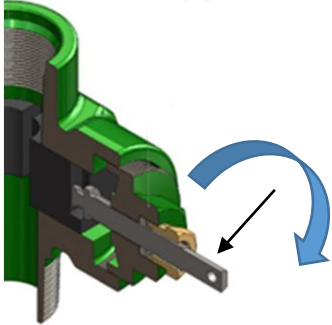
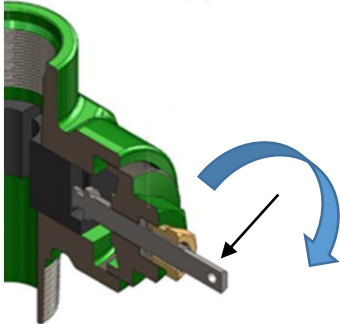


Factory settings for BOPs are male pin down. BOP rams are marked with “THIS SIDE UP” stickers. If BOP is installed female box down rams must be turned over so that “THIS SIDE UP” is facing up.



Step 1 of 5: Before operating ram bolt in either direction you must first loosen the Packing Gland 1-2 turns. Repeat on opposite side.



<p>Step 2 of 5: Turn ram bolt counterclockwise, until ram stops turning to ensure ram bolt is completely disengaged.</p>	
<p>Step 3 of 5: Turn ram bolt clockwise 12-15 times. Repeat on opposite side.</p>	
<p>Step 4 of 5: Turn ram bolt clockwise 1-2 times. Repeat on opposite side. Continue turning 1-2 times alternating sides until rams are fully engaged.</p>	
<p>Step 5 of 5: Once rams are fully engaged tighten packing gland 1-2 turns. Repeat on opposite side. *Continue to tighten packing gland, if necessary by ½ turns to stop leaks.</p> <p>Step 6 of 6: to fully disengage repeat steps 1 -2 in order to open rams back up for operation.</p>	