



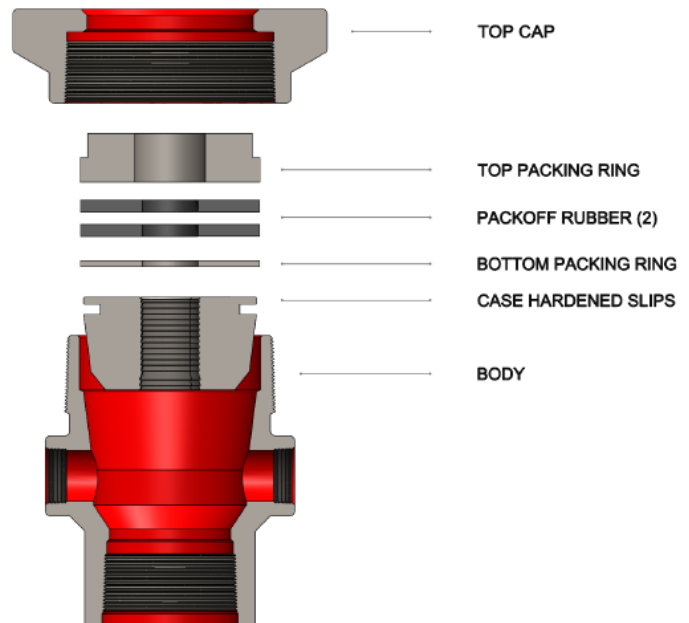
Model "A7" Independent Wellhead



The Wellhead Systems Inc. Independent wellhead line has been servicing customer needs for many years. Wellhead Systems Inc., continues to provide high quality wellhead products and component parts globally, through our manufacturing facility located in Hill City, Kansas. Our industry leading wellhead profiles, provides customers with field standard options, and interchangeability to the most recognized wellhead profiles in the industry.

Model "A7" Specifications:

- 2000 PSI working pressure
- BTM connection size, 4-1/2, 5-1/2, & 7" 8rd
 - (Male, Female)
- Inner String sizes:
 - 4-1/2" (2-3/8" & 2-7/8")
 - 5-1/2" (2-3/8", 2-7/8", 3-1/2" & 4")
 - 7" (2-3/8", 2-7/8", 3-1/2", 4" & 4-1/2")
- Suspension Type, slip or mandrel
- 8*5/8" Full API Cap Thread
- Max slip load limit, 85,000
- Dual string configuration available
- Slip-on-weld configuration available
- 4" & 4-1/2" internals available
- **Available with Stripper Rubber (A7S)



MODEL "A-7"